



**Lean
Production**

Automation Equipment



- SpeedFeeders for quick and easy handling of sheet metal blanks and formed components in presses.
- Transfer systems for automation of presses with multiple press tools/transfer tooling.
- Blank destackers for separation, lubrication and positioning of blanks before feeding into presses.
- Robots for various ancillary handling operations, before, during and after the production process.

SpeedFeeders

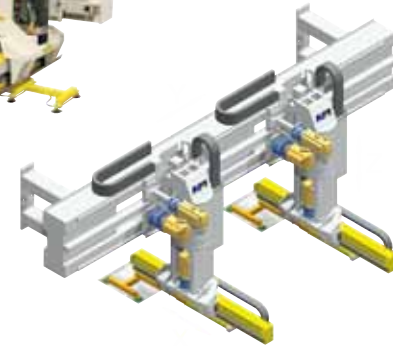
- Developed specifically for handling sheet metal parts in presses
- Fast action linear-axis servomotor driven movements for simple programming relating to the press tool/press bed
- Handling of loads from 5 kg to 240 kg (11 lbs to 529 lbs)
- Mounting directly on the press or on a separate floor stand



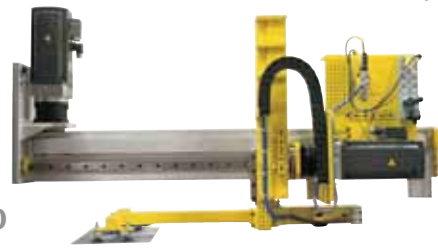
SpeedFeeder 40/60 T2



SpeedFeeder 120 T2



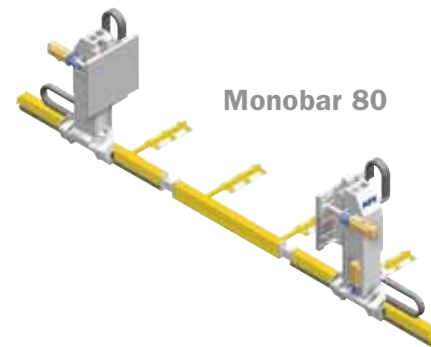
SpeedFeeder 40/60 2x



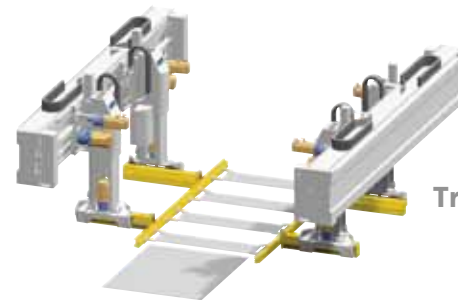
Linair Feeder CD 20

Transfer Systems

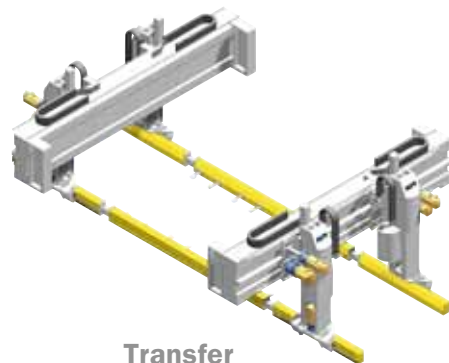
- Handling of parts in presses with multi operation tools/transfer tooling
- Lifting capacity up to 240 kg (529 lbs)
- Simple installation on the press without mechanical transmission power through the press frame



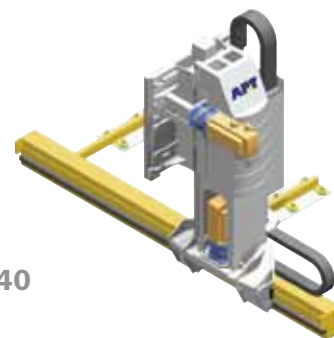
Monobar 80



Transfer SpeedFeeder 40 4x



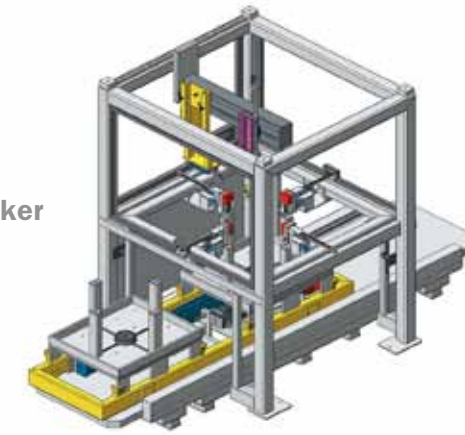
Transfer



Monobar 40

Blank Destackers

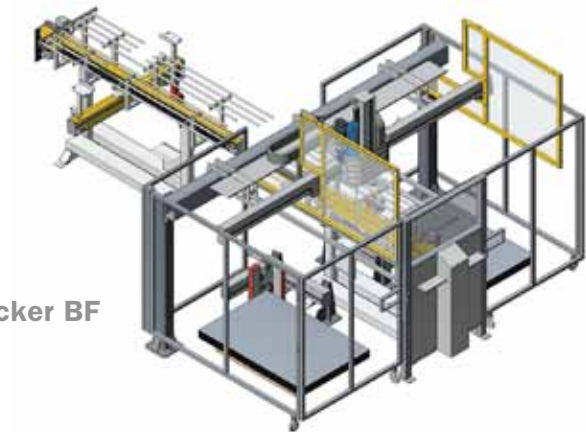
- Storing of blank stacks with easy loading of material in one or two magazines. Twin magazines allow for continuous feeding when loading a new stack
- Safe separation of blanks, including non-magnetic material
- Double blank detection with possibility of automatic ejection of double blanks
- Blank lubrication with a variety of options
- Positioning of blank for subsequent loading into the tool
- Handles rectangular or contoured blanks



High Speed Destacker



Centering table



Blank Destacker BF

Robots

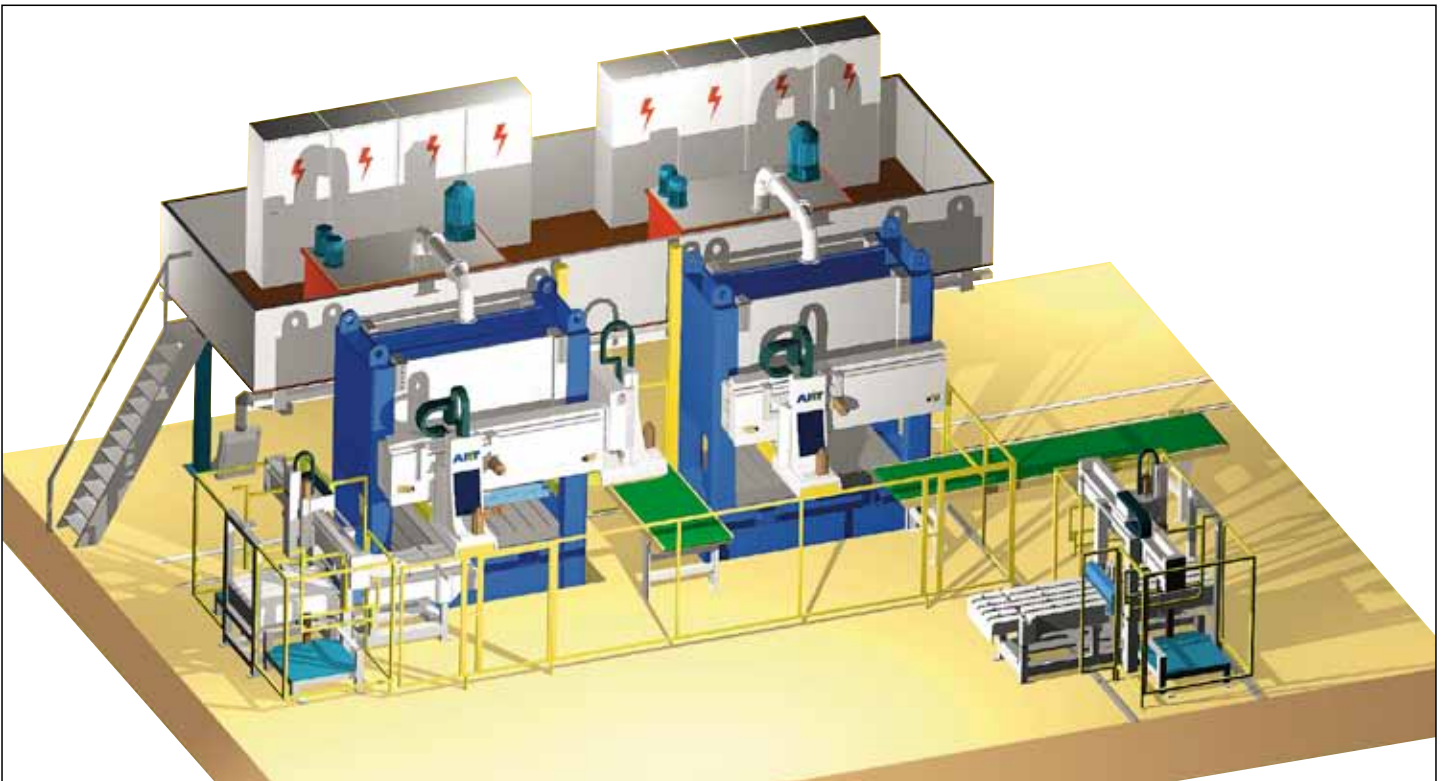
- Complement to AP&T's other blank handling program
- Freely programmable in 6 axes
- Machining of parts
- Stacking or destacking functions



Press Robot IRB



Automation on a single press



Automation on a two-press line

AP&T North America, Inc. >> 4817 Persimmon Court, Monroe, NC 28110 >> Phone (704) 292 2900
Fax (704) 292 2906 >> e-mail info-usa@aptgroup.com >> Internet us.aptgroup.com